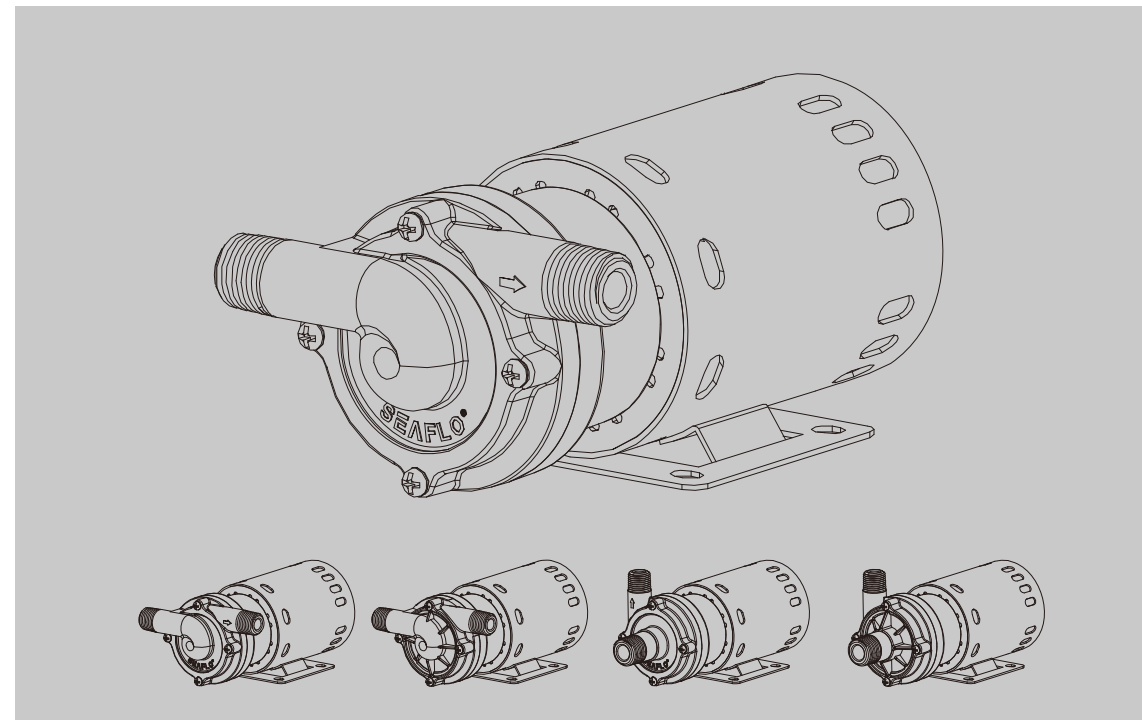


SEAFLO®



SEAFLO®

BEER PUMPS

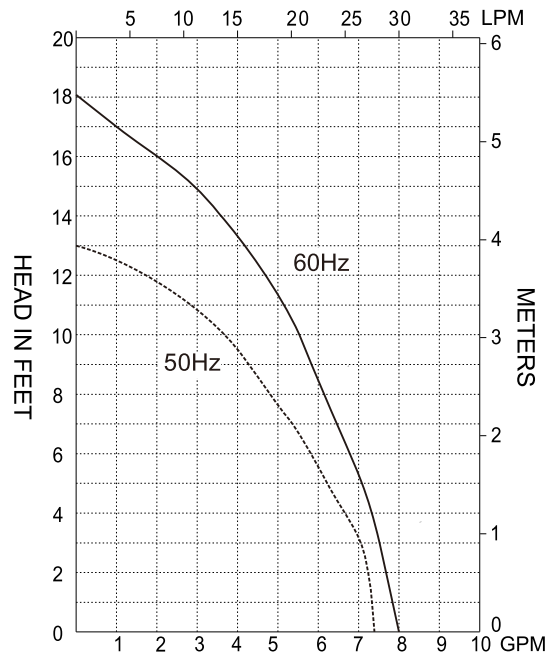
Operating Manual

DESCRIPTION

The Seaflo beer pump is a non-self-priming magnetic drive unit built specially to handle hot wort and cold liquids. The unit requires liquid being pumped to lubricate the internal parts. If the pump run dry for a period of time the impeller and shaft may become damaged.

DO NOT RUN PUMP DRY.

PERFORMANCE CURVE



STANDARD PUMP SPECIFICATIONS

SPECIFICATIONS					
		Inlet Type Center Inlet			
Pump Head Material		Polysulfone		Stainless Steel	
Product Model	115V	SFBPA1-VP-G400-01		SFBPA1-VM-G400-01	
	230V	SFBPA2-VP-G400-01		SFBPA2-VM-G400-01	
Frequency		60 Hz	50 Hz	60 Hz	50 Hz
Max Flow		7.5 gpm	29.5 lpm	7.5 gpm	29.5 lpm
Max Head		18ft/8psi	4m	18ft/8psi	4m
Inlet Size		3/4" MPT			
Outlet Size		1/2" MPT			
Internal Pressure		50psi/3.4bar Max		150psi/10bar Max	
Liquid Temperature		250°F/120°C Max		250°F/120°C Max	
Net Weight		5lbs/2.3kg		6lbs/2.7kg	
60Hz		W	A	HP	RPM
	115V	123	1.58	1/25	3450
	230V	130	0.83	1/25	3450
50Hz		W	A	HP	RPM
	115V	117	1.57	0.029	2850
	230V	127	0.83	0.029	2850
Overall Pump Size		Length	Width	Height	
	Inches	8.65	3.35	4.27	
	mm	219.8	85.0	108.5	

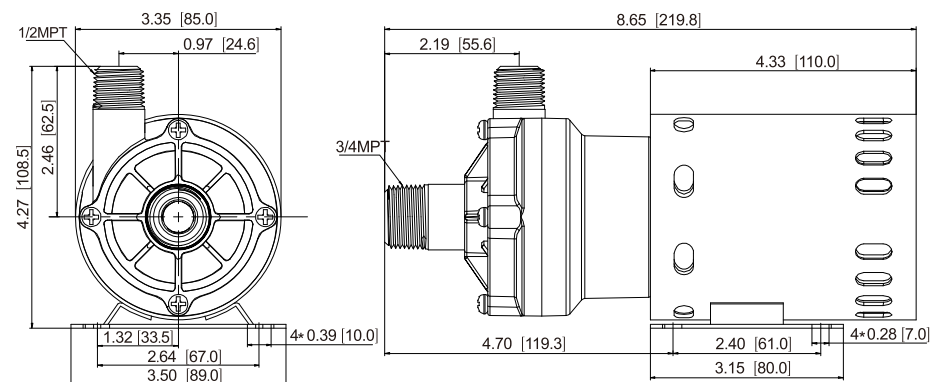
STANDARD PUMP SPECIFICATIONS

SPECIFICATIONS					
					
Inlet Type		Inline			
Pump Head Material		Polysulfone		Stainless Steel	
Product Model	115V	SFBPA1-LP-G400-01		SFBPA1-LM-G400-01	
	230V	SFBPA2-LP-G400-01		SFBPA2-LM-G400-01	
Frequency		60 Hz	50 Hz	60 Hz	50 Hz
Max Flow		7.6 gpm	32 lpm	7.6 gpm	32 lpm
Max Head		18ft/8psi	4m	18ft/8psi	4m
Inlet Size		1/2" MPT			
Outlet Size		1/2" MPT			
Internal Pressure		50psi/3.4bar Max		150psi/10bar Max	
Liquid Temperature		250°F/120°C Max		250°F/120°C Max	
Net Weight		5lbs/2.3kg		6lbs/2.7kg	
60Hz		W	A	HP	RPM
	115V	109	1.45	1/25	3450
	230V	116	0.75	1/25	3450
50Hz		W	A	HP	RPM
	115V	108	1.54	0.029	2850
	230V	119	0.85	0.029	2850
Overall Pump Size		Length	Width	Height	
	Inches	7.4	4.92	3.48	
	mm	188	125	88.5	

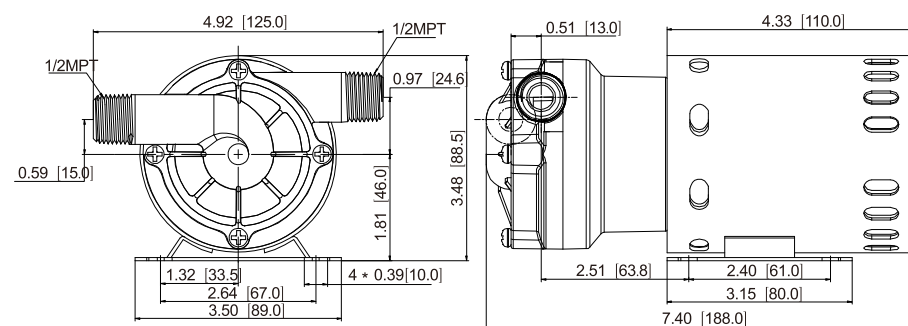
INSTALLATION

1. The directional arrows on the pump head show fluid direction through the pump.
2. The four screws on the pump head may be removed.
3. The pump head can be rotated to fit your piping system.
4. Follow all local electrical and safety codes and always disconnect power before performing work on or near the pump motor.

DIMENSION

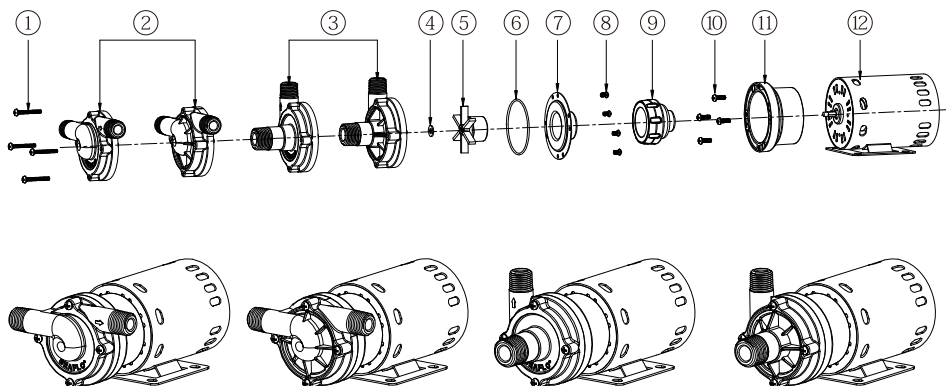


SFBPA1(2)-VP-G400-01 & SFBPA1(2)-VM-G400-01



SFBPA1(2)-LP-G400-01 & SFBPA1(2)-LM-G400-01

EXPLOSIVE VIEW



No.	Part Name	Material	Quantity
1	Screw	SUS304	4
2	Pump housing (inline)-metal Pump housing (inline)-plastic	SUS304 PPS+30%GF SUS304	1
3	Pump housing (center inlet)-metal Pump housing (center inlet)-plastic	SUS304 PPS+30%GF SUS304	1 1
4	Thrust washer	Teflon	1
5	Impeller	PPS+30%GF SUS316 magnet	1
6	O ring	silicone	1
7	Rear housing	SUS316	1
8	Screw	SUS304	4
9	Drive magnet	PPS+30%GF magnet, iron	1
10	Screw	SUS304	4
11	Pump bracket	PA+30%GF	1
12	Motor		1

WARNING

1. Acceptable For Indoor Use Only.
2. For use with maximum 120°C (250°F)
3. Non-submersible Pump
4. To reduce risk of electric shock, pull plug before servicing this pump.
5. To reduce risk of electric shock, see instruction manual for proper installation.
6. To reduce risk of electric shock, connect only to a properly grounded, grounding-type receptacle.
7. Do not use this pump in swimming pool or marine areas.
8. The pump must be cleaned and sanitized prior to use.
9. Do not run pump dry.